

PXIe3110 PXI Express Embedded Controller



TECHNICAL DATA SHEET

PXI

VXI

LAN

cPCI

PXIe

GPIB

USB

RS232
485

external
PCIe

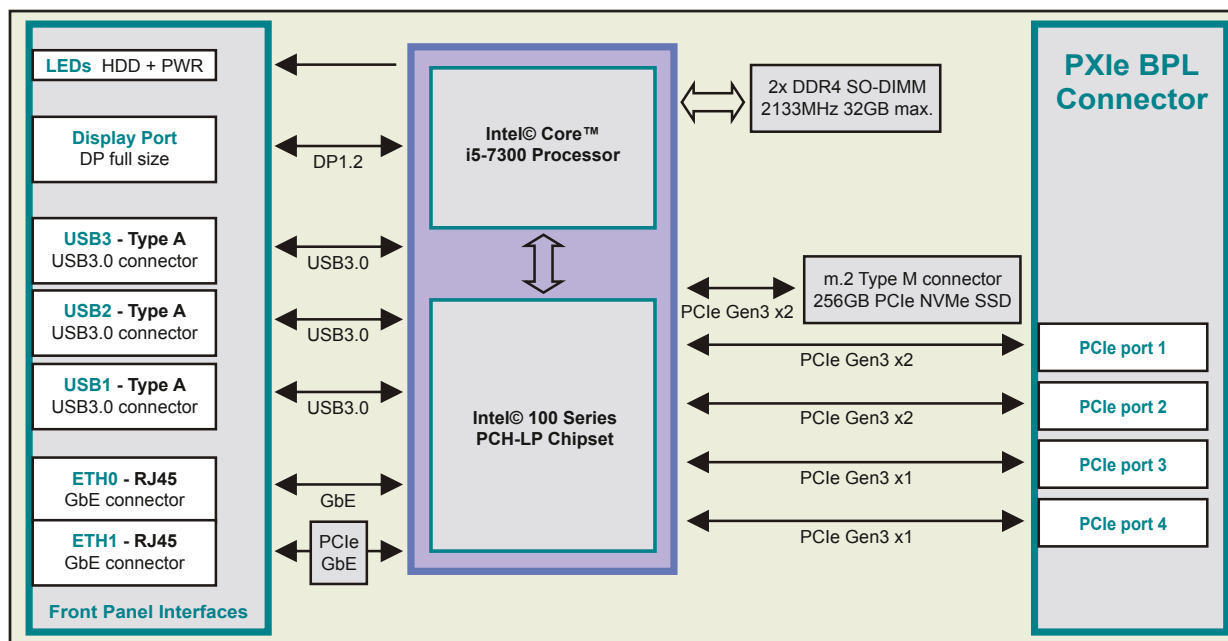
Features

- Most compact PXIe Embedded Controller on market
- PXI-5 PXI Express hardware spec. Rev.2.0 compliant
- Integrated m.2 NVMe PCIe Gen3 storage
- Maximum system throughput 6 GB/s (1 Four-Link mode PCIe Gen3 x2 - x2 - x1 - x1)
- 7th Intel® Core™ generation with Hyper-Threading

Product Information

The PXle3110 is the most compact and powerful 3U one-slot embedded controller for the PXI Express and CPClexp platform. With its huge and future-ready interface capabilities, it runs perfectly with most test and measurement applications.

The Controller is driven by a 7th generation Intel® Core™ processor combined with up to 32 GB DDR4 memory and easily supports high bandwidth applications with its PCIe Gen3 system and storage interconnectivity.



General	Specification	Comment
Module size	1 slot, 3U	
Module weight	0.38 kg	
Operating temperature	0 ... 60°C	
Relative humidity	10 ... 90%	Non-condensing
Storage temperature range	-40 ... 85°C	

Controller Capabilities	Specification	Comment
CPU	Intel® Core™ i5-7300U 2.6GHz dual-core	
Chipset	Integrated Intel™ 100 Series PCH-LP	
DRAM	1x 16 GB 2 133 MHz DDR4 (2x 16 GB optional)	
Graphics	Intel® Gen9 HD Graphics 620	
Storage	m.2 NVMe SSD Samsung 960 EVO 250 GB	
I/O Ports	2x GbE, 3x USB3.0 TypeA, DisplayPort 1.2	
Power	Peak: 40 W, Typical: 18 W	

Notes: Product specification and description in this document are subject to change without notice.